

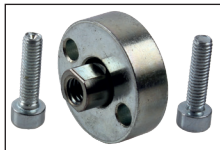


# Actuator guide kit

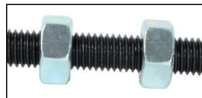
## Coupling for threaded cylinder end **UGAC** **UGET**

**UGAC:** Connects the threaded end of the actuator to the piece to be moved

- In line flexible coupling, allows radial movement (E) of the cylinder end
- Material: Zinc plated steel



**UGAC**



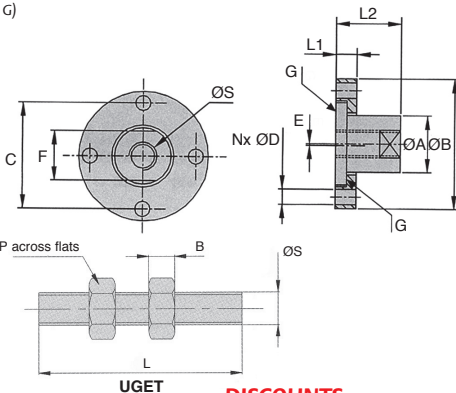
**UGET**

### Info.

- Grease the 2 surfaces (marked G) during assembly

**UGET:** For connecting the threaded end of a short stroke actuator to the UGAC coupling

- Material: Blackened steel, zinc plated steel



### Info.

- If the actuator does not complete the stroke, check the tightness of the threads

### DISCOUNTS

Qty	1+	2+	4+
Disc.	List	-5%	On request

### Coupling for cylinder end

Part number	ØS	ØA	ØB	C	ØD	L1	L2	E	F	N	Weight (kg)	Price each
UGAC-6	M6	9	26	19	4,5	8	14	0,5	8	2	0,02	19,18 €
UGAC-8	M8	16	38	31	5,5	8	22	1,0	13	2	0,08	22,35 €
UGAC-10F	M10x1,25	16	38	31	5,5	8	22	1,0	13	2	0,08	22,35 €
UGAC-12F	M12x1,25	24	55	45	6,5	9	28	1,0	21	4	0,19	28,11 €
UGAC-16F	M16x1,5	24	55	45	6,5	9	28	1,0	21	4	0,19	28,11 €
UGAC-20F	M20x1,5	29	70	56	8,5	10	35	1,5	24	4	0,31	35,75 €
UGAC-27F	M27x2	39	100	76	13,0	16	43	1,5	32	4	0,90	65,66 €

### Connector for threaded actuator rod

Part number	ØS	L	B	P	Price each
UGET-6	M6	40	4,8	10	3,62 €
UGET-8	M8	60	6,4	13	3,99 €

Dimensions in mm