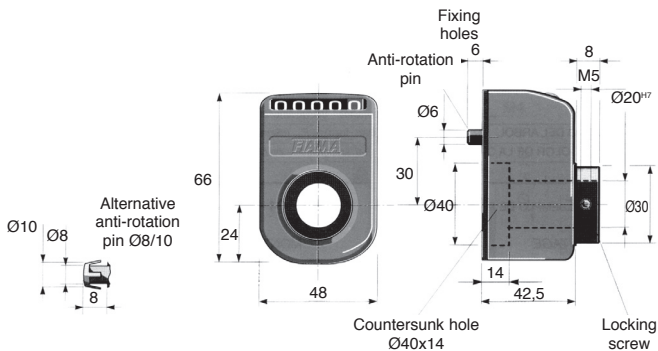


Digital position indicator

OP6DX
OP6SX

5 digit display

- 5 digit display (99999) with red digits for tenths/hundredths
- Shaft driven position indicator
- Displays linear or angular movement by use of mechanism driven by a rotating shaft
- Nonflammable polycarbonate case Protection IP64
Max. temperature 80°C
- Colour: orange
- Height of digits: 6mm.
- Standard bore for shaft 20H7, smaller bores will require use of reducing sleeve



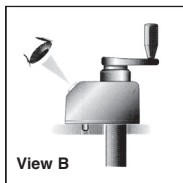
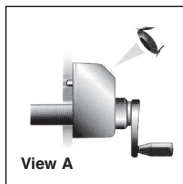
OP6DX OP6SX

Options

- Version with stainless steel parts available

Assembly

- Insert the indicator on to the shaft ensuring that the anti-rotation pin is inserted into the 6mm hole that should have been drilled previously. Reset the display to zero and secure the fixing screw.



DISCOUNTS

Qty	1+	5+	+10
Disc.	List	-15%	On request

Part number	View	Pitch (mm)	Display after one turn (mm)	Max. speed (rpm)	Counting direction	Stock*	Price each 1 to 4
OP6-A10-DX	A	1	001 0	300	clockwise	✓	68,49 €
OP6-A20-DX	A	2	002 0	300	clockwise	✓	68,49 €
OP6-A40-DX	A	4	004 0	200	clockwise	✓	68,49 €
OP6-A50-DX	A	5	005 0	200	clockwise	✓	68,49 €
OP6-A100-DX	A	10	010 0	150	clockwise	✓	68,49 €
OP6-B10-DX	B	1	001 0	300	clockwise	✓	68,49 €
OP6-B20-DX	B	2	002 0	300	clockwise	✓	68,49 €
OP6-B40-DX	B	4	004 0	200	clockwise	✓	68,49 €
OP6-B50-DX	B	5	005 0	200	clockwise	✓	68,49 €
OP6-B100-DX	B	10	010 0	150	clockwise	✓	68,49 €
OP6-A10-SX	A	1	001 0	300	anticlockwise	✓	68,49 €
OP6-A20-SX	A	2	002 0	300	anticlockwise	-	68,49 €
OP6-A40-SX	A	4	004 0	200	anticlockwise	✓	68,49 €
OP6-A50-SX	A	5	005 0	200	anticlockwise	✓	68,49 €
OP6-A100-SX	A	10	010 0	150	anticlockwise	-	68,49 €
OP6-B10-SX	B	1	001 0	300	anticlockwise	-	68,49 €
OP6-B20-SX	B	2	002 0	300	anticlockwise	-	68,49 €
OP6-B40-SX	B	4	004 0	200	anticlockwise	-	68,49 €
OP6-B50-SX	B	5	005 0	200	anticlockwise	-	68,49 €
OP6-B100-SX	B	10	010 0	150	anticlockwise	-	68,49 €

*Depending on availability - Dimensions in mm