

Hi-Klik™ indent hinge

CHAK

Adjustable in 30° steps

- Hinge that allows a panel or door to be opened in 30° steps and to maintain the position without the use of any additional support.

- Reduced size
- Max opening angle 180° (up to 270° depending on mounting arrangement)
- Working temp range: -30 to 70 °C
- Installed using DIN912 screws (not supplied)
- Materials:

Winds: Black anodised aluminium

Positioning mechanism: raw sintered steel

Washers: Black PA polyamide

Screw/nut: stainless steel

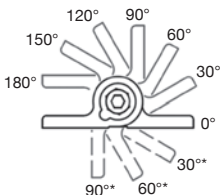
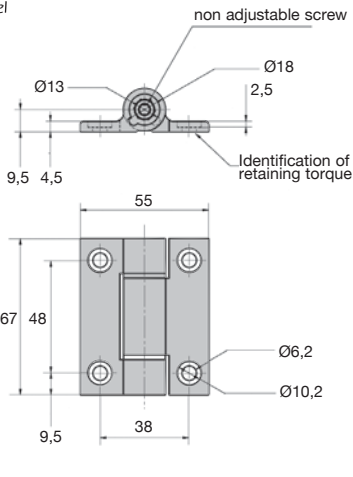
- Max N° of opening cycles: 30,000 (with 20% torque loss)

Application

- Machine covers
- Industrial displays and LCD screens

Info

- The retaining torque is factory set and cannot be modified by the user



Angular indexing positions

*given as a guide only, will depend on panel thickness

DISCOUNTS

Qty	1+	6+	20+
Disc.	List -5%	On request	

Part number	Panel holding torque**(Nm)	Required torque to move**(Nm)	Weight (g)	Price each 1 to 5
CHAK6755-L-AN	0,8	1,8	106	52,86 €
CHAK6755-M-AN	1,2	2,5	106	57,55 €
CHAK6755-H-AN	2,0	3,2	106	63,46 €

**Tolerance +/-20% - Dimensions in mm