



Roller block for aluminium profiles

Create your own roller track

ACLERP

- Roller block for PRF aluminium profiles
- Materials
 - Black glass fibre reinforced nylon
 - Rollers : POM
- Exists in 2 versions, with and without guide
- Max load : 100N each

Advantages

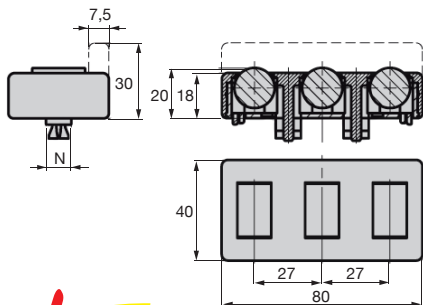
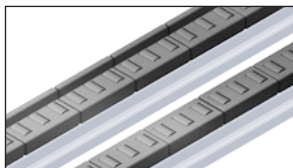
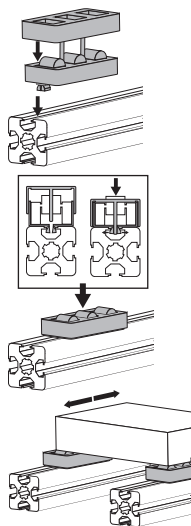
- Click to install



ACL-ERP-SG



ACL-ERP-AG



DISCOUNTS

Qty	1+	50+	100+
Disc.	List	-5%	On request

Part number	Version	N	Weight (g)	Stock*	Price each 1 to 49
ACL-ERP-SG	Without guide rail	8-10	43	✓	4,10 €
ACL-ERP-AG	With guide rail	8-10	48	✓	4,64 €

* Depending on availability - Dimensions in mm