

# Manchon hexagonal taraudé

Stock Inx Aci

## MHX

Acier ou **inox**

- **Manchon hexagonal taraudé** de part en part
- Idéal pour jonction de tige filetée
- Matières :

Acier S300PB zingué Zn3-5BL

Inox 303

### Info.

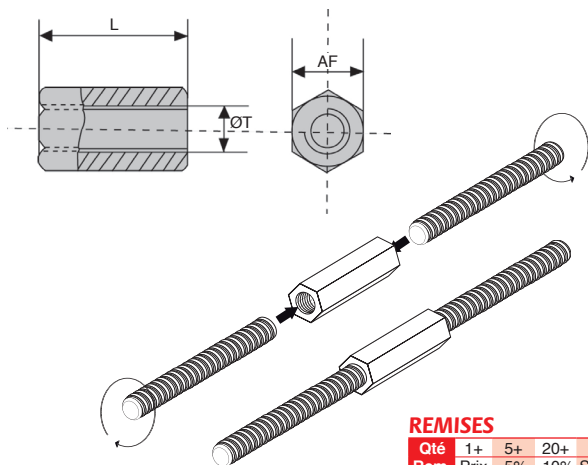
- Conditionnement par lot

### Accessoires

- Tiges filetées TIFs (tome 1 p.529)



acier  
ou inox



### REMISES

| Qté       | 1+  | 5+   | 20+         | 50+ |
|-----------|-----|------|-------------|-----|
| Rem. Prix | -5% | -10% | Sur demande |     |

| Références |              | Taraudage |    |     | Qté par lot | Stock* |      | Prix Uni. par lot 1 à 4 |         |
|------------|--------------|-----------|----|-----|-------------|--------|------|-------------------------|---------|
| Acier      | Inox         | ØT        | L  | AF  |             | Acier  | Inox | Acier                   | Inox    |
| MHX3-10/B  | MHX3-10/SS/B | M3        | 10 | 5,5 | 20          | ✓      | -    | 4,16 €                  | 15,68 € |
| MHX3-12/B  | MHX3-12/SS/B | M3        | 12 | 5,5 | 20          | -      | -    | 4,29 €                  | 17,43 € |
| MHX3-15/B  | MHX3-15/SS/B | M3        | 15 | 5,5 | 20          | ✓      | -    | 4,82 €                  | 19,26 € |
| MHX3-18/B  | -            | M3        | 18 | 5,5 | 20          | -      | -    | 5,36 €                  | -       |
| MHX3-20/B  | -            | M3        | 20 | 5,5 | 20          | ✓      | -    | 5,82 €                  | -       |

\*Dans la limite du disponible - Dimensions en mm

## REMISES

|           |     |      |             |     |
|-----------|-----|------|-------------|-----|
| Qté       | 1+  | 5+   | 20+         | 50+ |
| Rem. Prix | -5% | -10% | Sur demande |     |

| Références |               | Tarassage |    |      | Qté<br>par lot | Stock* |      | Prix Uni. par lot<br>1 à 4 |          |
|------------|---------------|-----------|----|------|----------------|--------|------|----------------------------|----------|
| Acier      | Inox          | ØT        | L  | AF   |                | Acier  | Inox | Acier                      | Inox     |
| MHX4-10/B  | MHX4-10/SS/B  | M4        | 10 | 7,0  | 20             | -      | -    | 4,37 €                     | 18,20 €  |
| MHX4-12/B  | MHX4-12/SS/B  | M4        | 12 | 7,0  | 20             | -      | -    | 4,68 €                     | 20,46 €  |
| MHX4-15/B  | MHX4-15/SS/B  | M4        | 15 | 7,0  | 20             | -      | -    | 5,18 €                     | 22,88 €  |
| MHX4-18/B  | -             | M4        | 18 | 7,0  | 20             | -      | -    | 5,71 €                     | -        |
| MHX4-20/B  | -             | M4        | 20 | 7,0  | 20             | ✓      | -    | 6,48 €                     | -        |
| -          | MHX5-12/SS/B  | M5        | 12 | 8,0  | 20             | -      | ✓    | -                          | 32,06 €  |
| MHX5-15/B  | MHX5-15/SS/B  | M5        | 15 | 8,0  | 20             | -      | -    | 6,68 €                     | 24,29 €  |
| -          | MHX5-18/SS/B  | M5        | 18 | 8,0  | 20             | -      | -    | -                          | 26,91 €  |
| MHX5-20/B  | MHX5-20/SS/B  | M5        | 20 | 8,0  | 20             | ✓      | ✓    | 9,79 €                     | 27,38 €  |
| MHX5-25/B  | -             | M5        | 25 | 8,0  | 20             | -      | -    | 9,33 €                     | -        |
| MHX6-15/B  | MHX6-15/SS/B  | M6        | 15 | 10,0 | 20             | ✓      | ✓    | 5,45 €                     | 35,03 €  |
| MHX6-18/B  | MHX6-18/SS/B  | M6        | 18 | 10,0 | 20             | -      | -    | 5,53 €                     | 34,19 €  |
| MHX6-20/B  | MHX6-20/SS/B  | M6        | 20 | 10,0 | 20             | -      | -    | 6,01 €                     | 35,71 €  |
| MHX6-25/B  | MHX6-25/SS/B  | M6        | 25 | 10,0 | 20             | ✓      | ✓    | 6,13 €                     | 40,81 €  |
| MHX6-30/B  | MHX6-30/SS/B  | M6        | 30 | 10,0 | 20             | ✓      | ✓    | 9,41 €                     | 48,45 €  |
| MHX6-35/B  | -             | M6        | 35 | 10,0 | 20             | ✓      | ✓    | 11,21 €                    | -        |
| MHX6-40/B  | -             | M6        | 40 | 10,0 | 20             | ✓      | ✓    | 11,85 €                    | -        |
| MHX6-50/B  | -             | M6        | 50 | 10,0 | 20             | -      | -    | 18,03 €                    | -        |
| MHX8-15/B  | -             | M8        | 15 | 13,0 | 20             | ✓      | -    | 8,97 €                     | -        |
| MHX8-20/B  | -             | M8        | 20 | 13,0 | 20             | ✓      | -    | 10,40 €                    | -        |
| MHX8-25/B  | MHX8-25/SS/B  | M8        | 25 | 13,0 | 20             | ✓      | -    | 13,26 €                    | 63,30 €  |
| MHX8-30/B  | MHX8-30/SS/B  | M8        | 30 | 13,0 | 20             | ✓      | ✓    | 13,56 €                    | 73,51 €  |
| MHX8-35/B  | -             | M8        | 35 | 13,0 | 20             | -      | -    | 21,50 €                    | -        |
| MHX8-40/B  | -             | M8        | 40 | 13,0 | 20             | ✓      | -    | 17,01 €                    | -        |
| MHX8-45/B  | -             | M8        | 45 | 13,0 | 20             | ✓      | -    | 29,04 €                    | -        |
| MHX8-50/B  | -             | M8        | 50 | 13,0 | 20             | ✓      | -    | 27,86 €                    | -        |
| MHX8-60/B  | -             | M8        | 60 | 13,0 | 20             | ✓      | -    | 41,14 €                    | -        |
| MHX10-20/B | -             | M10       | 20 | 17,0 | 20             | ✓      | -    | 14,86 €                    | -        |
| MHX10-25/B | MHX10-25/SS/B | M10       | 25 | 17,0 | 20             | -      | -    | 16,98 €                    | 108,28 € |
| MHX10-30/B | MHX10-30/SS/B | M10       | 30 | 17,0 | 20             | -      | -    | 18,95 €                    | 117,44 € |
| MHX10-40/B | MHX10-40/SS/B | M10       | 40 | 17,0 | 20             | ✓      | -    | 25,59 €                    | 171,59 € |
| MHX10-50/B | -             | M10       | 50 | 17,0 | 20             | -      | -    | 35,93 €                    | -        |
| MHX10-60/B | -             | M10       | 60 | 17,0 | 20             | -      | -    | 108,84 €                   | -        |
| MHX10-70/B | -             | M10       | 70 | 17,0 | 20             | ✓      | -    | 113,52 €                   | -        |
| MHX12-25/B | -             | M12       | 25 | 19,0 | 20             | ✓      | -    | 18,07 €                    | -        |
| MHX12-30/B | MHX12-30/SS/B | M12       | 30 | 19,0 | 20             | -      | -    | 23,62 €                    | 132,79 € |
| MHX12-40/B | MHX12-40/SS/B | M12       | 40 | 19,0 | 20             | ✓      | -    | 34,82 €                    | 180,77 € |
| MHX12-50/B | MHX12-50/SS/B | M12       | 50 | 19,0 | 20             | ✓      | -    | 42,63 €                    | 260,47 € |
| MHX12-60/B | -             | M12       | 60 | 19,0 | 20             | -      | -    | 115,31 €                   | -        |
| MHX12-70/B | -             | M12       | 70 | 19,0 | 20             | ✓      | -    | 122,94 €                   | -        |

\*Dans la limite du disponible - Dimensions en mm