

Linear ball bearings + shaft

Possible combinations

Closed linear ball bearing:



Part n° KH
(tome 3 p.254)



Part n° KBSuu
(tome 3 p.259)



Part n° KKB
(tome 3 p.262)



Part n° LBE
(tome 3 p.256)



Part n° TKuu
(tome 3 p.260)



Part n° KKP
(tome 3 p.263)



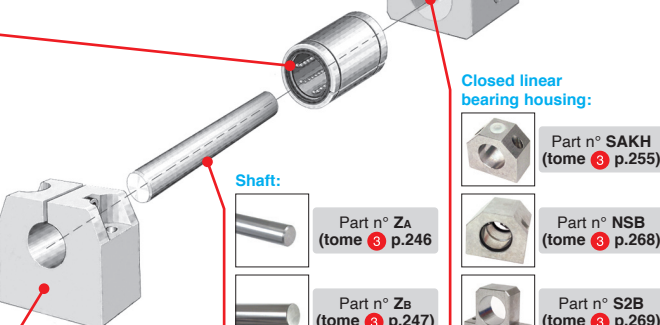
Part n° KBww,
KBSww
(tome 3 p.257)



Part n° RJJM,
RJUM
(tome 3 p.261)



Part n° KBuu
(tome 3 p.258)



Closed linear bearing housing:



Part n° SAKH
(tome 3 p.255)



Part n° NSB
(tome 3 p.268)



Part n° S2B
(tome 3 p.269)



Part n° RJJM05,
RJJM06
(tome 3 p.272)



Part n° BPQ
(tome 3 p.274)

Shaft:



Part n° Za
(tome 3 p.246)



Part n° Zb
(tome 3 p.247)



Part n° AWMP
(tome 3 p.245)



Part n° ZA-M/M
(tome 3 p.249)

Shaft end supports:



Part n° FGWA
(tome 3 p.253)



Part n° SFWR
(tome 3 p.252)

Linear ball bearings + shaft

Possible combinations

