

# Sprung toggle latch with connecting link

## GP75

Recommended for applications with no seal

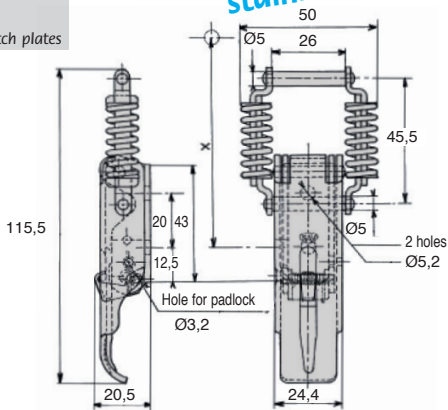
- High retaining strength for a spring latch
- Lever can be locked to the mounting bracket by retractable handle
- Easy operation of the release handle
- Can be locked
- Large spring range
- Wide positioning tolerance
- Materials:
  - White zinc plated steel
  - 18/8 stainless steel, natural finish

### Installation

- Approximate mounting dimension: Using an AC144 catch plate, X = 82.5 mm for a tension of about 550N

### Accessories

- AC144-ZZB and AC144-SS catch plates



### DISCOUNTS

Qty	1+	51+	101+	250+	400+
Disc.	List	-10%	-15%	-20%	On request

Part N°	Material	Wire Ø	Lever thickness	Mounting plate thickness	Max tension (N)	Weight (g)	Stock*	Price each 1 to 50
GP75-ZB	Steel	5,00	20/10th	20/10th	750	125	✓	10,87 €
GP75-SS	Stainless steel	5,00	20/10th	20/10th	750	125	✓	18,60 €

All dimensions in mm