

Rigid toggle latch



GE32

Recommended in case of vibration

- Closed by latching
- High strength
- Lever locks on the mounting bracket (Especially useful in case of vibration).
- Can be locked
- "Ammunition box" style clasp
- Materials:
 - White zinc plated steel
 - 18/8 stainless steel, natural finish

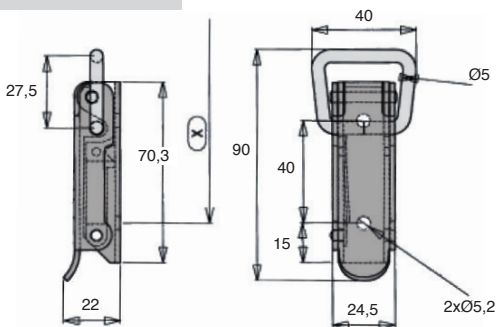
Installation

- Approximate mounting dimension: Using an AC157 catch plate, X = 94 mm for a tension of about 150daN (for the long version)

Accessories

- AC156-ZB, AC156-SS, AC157-ZB and AC157-SS catch plates

Steel or stainless steel



DISCOUNTS

Qty	1+	51+	101+	250+	400+
Disc.	List	-10%	-15%	-20%	On request

Part N°	Material	Wire Ø	Lever thickness	Mounting plate thickness	Max tension (N)	Weight (g)	Stock*	Price each 1 to 50
GE32-ZB	Steel	5,00	20/10th	20/10th	2500	103	✓	2,80 €
GE32-SS	Stainless steel	5,00	20/10th	20/10th	2500	109	✓	11,50 €

All dimensions in mm

HPC

WEB
04/2020

www.hpceurope.com

Tél: 0 825 88 5000 Service 0,15€/min + prix appel