

# Knurled threaded torque Knob

## BSC

## Adjustable torque

- **Knurled knob with coloured insert**

- **Materials:**

Dark grey thermoplastic

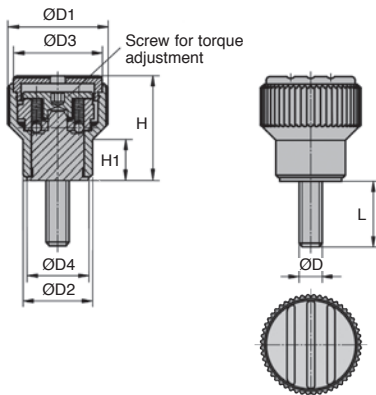
Thread: steel blue chromed

### Info.

- The required torque is adjusted by means of a screw.
- As soon as this torque is reached, the knurled knob will start to slip.

### Options

- Versions with different coloured inserts are available, signal red, dark grey, yellow



### DISCOUNTS

Qty	1+	6+	10+	25+
Disc.	List	-5%	-10%	On request

Part number	ØD	L	ØD1	ØD2	ØD3	ØD4	H	H1	T	Torque range (Nm)	Price each 1 to 5
<b>Grey insert</b>											
BSC26-M5-30	M5	30	26	18	23	16	27	10,5	5	0,1 - 0,3	45,16 €
BSC26-M5-50	M5	50	26	18	23	16	27	10,5	5	0,1 - 0,3	45,42 €
BSC26-M6-30	M6	30	26	18	23	16	27	10,5	6	0,1 - 0,3	45,16 €
BSC34-M6-40	M6	40	34	22	31	20	37,5	14,5	10	0,1 - 0,3	71,14 €
BSC34-M6-50	M6	50	34	22	31	20	37,5	14,5	10	0,1 - 0,3	45,42 €
BSC34-M6-60	M6	60	34	22	31	20	37,5	14,5	10	0,1 - 0,3	50,15 €
BSC34-M8-40	M8	40	34	22	31	20	37,5	14,5	14	0,1 - 0,3	49,78 €
BSC34-M8-60	M8	60	34	22	31	20	37,5	14,5	14	0,1 - 0,3	50,15 €

Dimensions in mm