

# Stainless steel miniature indexing button

BIM/ss

For reduced spaces

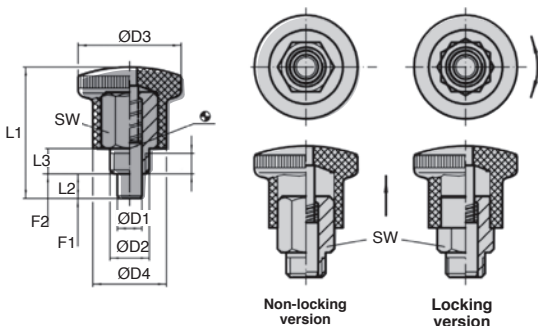
- Particularly suitable for screwing into thin-walled parts.
- Works well in reduced spaces
- Non-removable button
- Materials:
  - Head - 304 stainless steel
  - Body - 304 stainless steel
  - Pin - 303 stainless steel

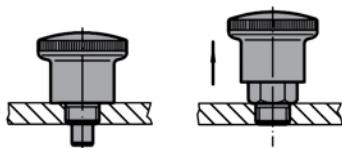
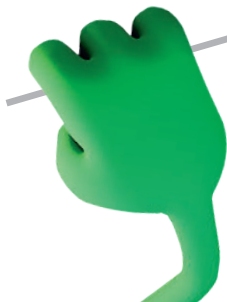
## Assembly

- Screw in as far as possible, then pull on the button to reveal the hexagonal nut for final assembly.

## Operation

- For the locking version, the button is pulled and then turned 90°C where it is retained in a notch.
- Max working temperature 250°C.





## DISCOUNTS

Qty	1+	6+	20+
Disc	List	-10%	On request

Part number	ØD1	ØD2	L1	ØD3	Ød4	L2	L3	SW	F1 (N)	F2 (N)	Weight (g)	Price each 1 to 5
<b>Non-locking version</b>												
BIM4-8-27.5/SS	4	M8	27,5	21,0	15	5	6	10	4	12	28	19,92 €
BIM4-8F-27.5/SS	4	M8x1	27,5	21,0	15	5	6	10	4	12	28	19,92 €
BIM5-10-34/SS	5	M10	34	25,0	18	6	8	12	6	16	49	22,27 €
BIM5-10F-34/SS	5	M10x1	34	25,0	18	6	8	12	6	16	50	22,27 €
BIM6-10-34/SS	6	M10	34	25,0	18	6	8	12	6	16	50	22,27 €
BIM6-10F-34/SS	6	M10x1	34	25,0	18	6	8	12	6	16	50	22,27 €
BIM6-12-40.5/SS	6	M12	40,5	28,0	20	7	10	14	10	23	74	27,19 €
BIM6-12F-40.5/SS	6	M12x1,5	40,5	28,0	20	7	10	14	10	23	75	27,19 €
BIM7-12-40.5/SS	7	M12	40,5	28,0	20	7	10	14	10	23	75	26,74 €
BIM7-12F-40.5/SS	7	M12x1,5	40,5	28,0	20	7	10	14	10	23	75	26,74 €
BIM8-16-47.5/SS	8	M16	47,5	33,0	23	10	12	17	11	34	110	33,57 €
BIM8-16F-47.5/SS	8	M16x1,5	47,5	33,0	23	10	12	17	11	35	113	33,57 €
BIM10-16-47.5/SS	10	M16	47,5	33,0	23	10	12	17	11	35	113	33,57 €
BIM10-16F-47.5/SS	10	M16x1,5	47,5	33,0	23	10	12	17	11	35	113	33,57 €
<b>Locking version</b>												
BIM4-8-27.5/LOK/SS	4	M8	27,5	21,0	15	5	6	10	4	12	27	19,92 €
BIM4-8F-27.5/LOK/SS	4	M8x1	27,5	21,0	15	5	6	10	4	12	28	19,92 €
BIM5-10-34/LOK/SS	5	M10	34	25,0	18	6	8	12	6	16	48	22,27 €
BIM5-10F-34/LOK/SS	5	M10x1	34	25,0	18	6	8	12	6	16	49	22,27 €
BIM6-10-34/LOK/SS	6	M10	34	25,0	18	6	8	12	6	16	49	22,40 €
BIM6-10F-34/LOK/SS	6	M10x1	34	25,0	18	6	8	12	6	16	49	22,40 €
BIM6-12-40.5/LOK/SS	6	M12	40,5	28,0	20	7	10	14	10	23	72	27,19 €
BIM6-12F-40.5/LOK/SS	6	M12x1,5	40,5	28,0	20	7	10	14	10	23	73	27,19 €
BIM7-12-40.5/LOK/SS	7	M12	40,5	28,0	20	7	10	14	10	23	73	26,74 €
BIM7-12F-40.5/LOK/SS	7	M12x1,5	40,5	28,0	20	7	10	14	10	23	74	26,74 €
BIM8-16-47.5/LOK/SS	8	M16	47,5	33,0	23	10	12	17	11	35	110	33,57 €
BIM8-16F-47.5/LOK/SS	8	M16x1,5	47,5	33,0	23	10	12	17	11	35	110	33,57 €
BIM10-16-47.5/LOK/SS	10	M16	47,5	33,0	23	10	12	17	11	35	112	33,57 €
BIM10-16F-47.5/LOK/SS	10	M16x1,5	47,5	33,0	23	10	12	17	11	35	114	33,57 €

All dimensions in mm

0 825 88 6000

Service 0,15 € / min  
+ prix appel

Fax