

Rubber machine mount

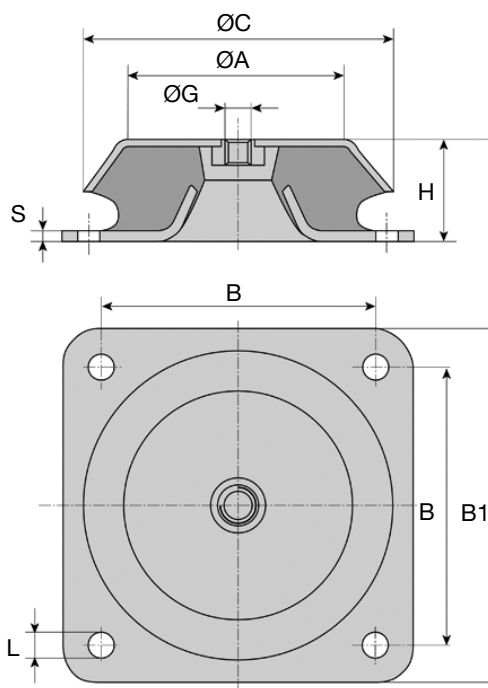
PMC

Square base plate

- With 4 fixing holes
- Indicated loads refer to permissible permanent vertical static load with a hardness of 60 shore A.
- Materials:
natural rubber 60 shore A
steel structure

Uses

- Anti-vibratory support for machines and all types of motors.
- Active effective protection for persons and surroundings from harmful effects of vibrations.
- Passive protection of sensitive machines, measuring instruments, equipment and many different types of machines against shocks and vibrations.



NEW!

DISCOUNTS

Qty.	1+	6+	20+	40+	100+
Disc. List	-5%	-10%	-15%	On request	

PART NUMBER	ØC	H	ØA	ØG	S	L	B	B1	Max. load (N)	Price each 1 to 5
PMC150-M16	150	51,5	110	M16	4,0	12,5	132	168	7800	34,31 €
PMC177-M20	177	63,0	125	M20	4,5	13,0	150	184	16500	50,05 €