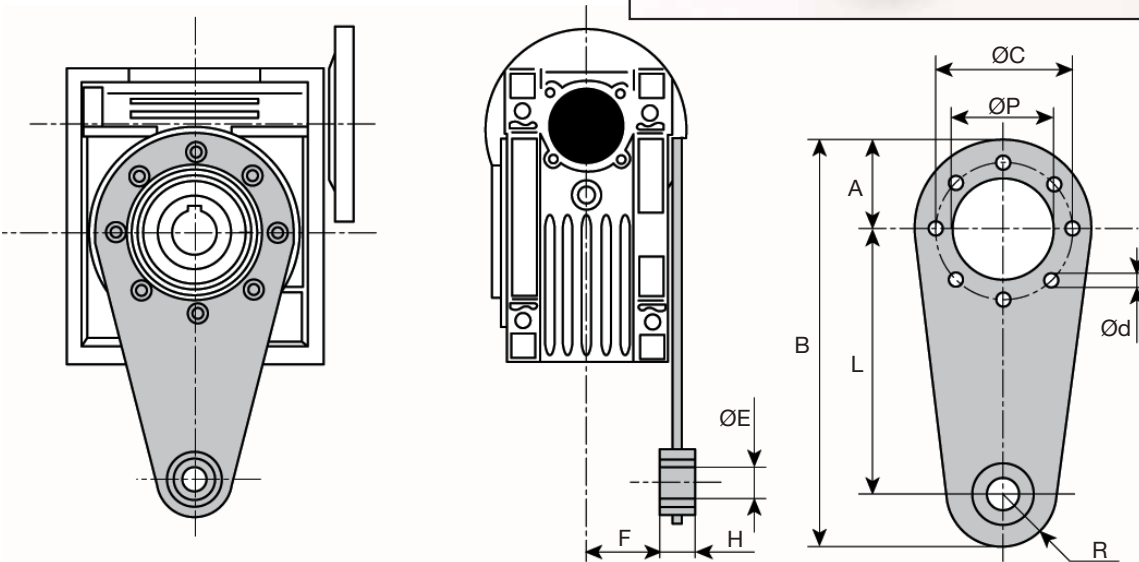


CHM-BR Reaction arm

For CHM and CHMR gearboxes

- Fits on output from CHM and CHMR gearboxes
- The fixing point of reaction arm is mounted with a resisting vibrations flange

New range!



PART NUMBER	L	R	F	H	ØE	A	B	ØC	ØD	ØP	weight (kg)	Price each 1 to 5
CHM40-BR	100	18	31.5	14	10	44	162	75	7	60	0.24	Contact us
CHM50-BR	100	18	38.5	14	10	50	168	85	9	70	0.27	
CHM63-BR	150	18	49.0	14	10	55	223	95	9	80	0.57	
CHM75-BR	200	30	47.5	25	20	70	300	115	9	95	1.10	
CHM90-BR	200	30	57.5	25	20	80	310	130	11	110	1.26	
CHM110-BR	250	35	62.0	30	25	100	385	165	11	130	1.92	